

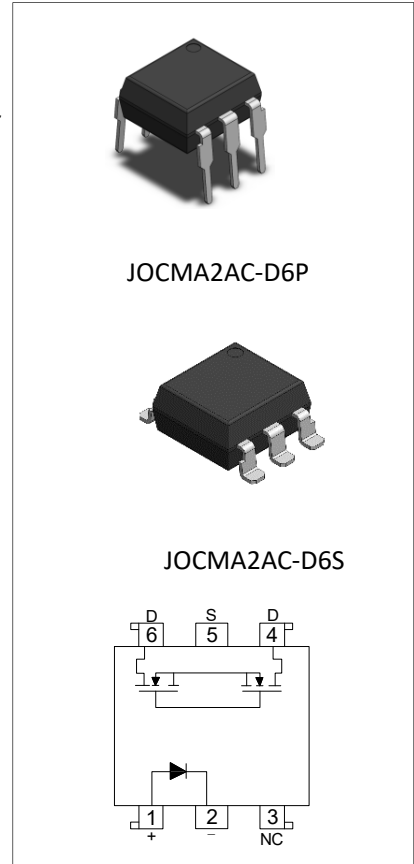


DESCRIPTION:

The products are 6-pin optical relays. The device combines an AlGaAs infrared emitting diode input stage optically coupled to a high-voltage output detector circuit. The detector consists of a high-speed photovoltaic diode array and driver circuitry. The products are widely used in accumulation, automotive battery management system, automobile battery and power system insulation testing, industrial controls and EMR/reed relay replacement.

MAIN FEATURES:

- High isolation 5000 Vrms
- Single channel normally on Single-Pole-Single-Throw Relay
- Operating temperature range -40°C to 110°C
- REACH & RoHS compliance
- HBM: H3A; MM: M4; CDM: C3
- CQC approved
- VDE approved
- UL approved



ABSOLUTE MAXIMUM RATINGS (Temperature=25°C)

Parameter		Symbol	Value	Unit
Input	Forward Current	I_F	50	mA
	Peak Forward Current	I_{FP}	1 ^①	A
	Reverse Voltage	V_R	6	V
	Power Dissipation	P_D	75	mW
Output	Switching Voltage	V_O	40	V
	Continuous Load Current	I_O	3.5	A
	Power Dissipation	P_C	360	mW
Operating Temperature		T_{opr}	-40~110	°C
Junction Temperature		T_j	125	°C
Storage Temperature		T_{stg}	-55~125	°C
Total Power Dissipation		P_{tot}	450	mW
Isolation Voltage		V_{iso}	5000 ^②	Vrms

Soldering Temperature	T_{sol}	260	°C
-----------------------	-----------	-----	----

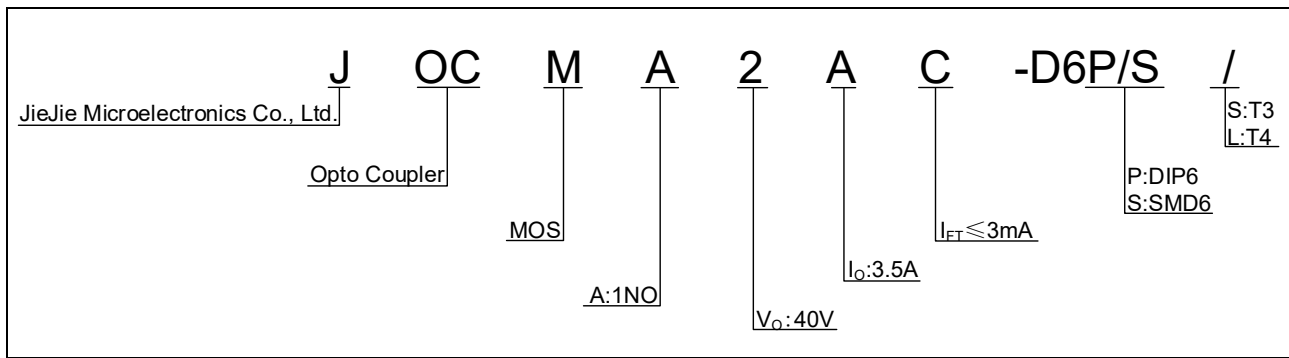
NOTE1 : 100μs pulse, 100Hz frequency

NOTE2 : AC for 1minute, R.H.=40~60%

ELECTRICAL CHARACTERISTICS (Temperature=25°C)

Parameter		Symbol	Condition	Min.	Typ.	Max.	Unit
Input	Forward Voltage	V_F	$I_F=10mA$	-	1.2	1.5	V
	Reverse Current	I_R	$V_R=6V$	-	-	1	μA
	Terminal Capacitance	C_t	$V=0, f=1MHz$	-	70	-	pF
	Reset Current	$I_{F(OFF)}$	$I_O=I_{O(MAX)}$	0.1	-	-	mA
Output	Open-circuit leakage current	I_{Leak}	$V_O=40V$	-	-	1	μA
	ON Resistance	R_{ON}	$I_O=I_{O(MAX)}, I_F=5mA$	-	-	70	mΩ
Transfer Characteristics	LED Trigger Current	I_{FT}	$I_O=I_{O(MAX)}$	-	-	3	mA
	Floating Capacitance	C_{IO}	$V=0, f=1MHz$	-	3	-	pF
	Isolation Resistance	R_{ISO}	DC500V 40~60%R.H.	10^9	10^{14}	-	Ω
	Turn On Time	t_{on}	$I_O=3.5A, I_F=5mA$	-	2.5	5	ms
	Turn Off Time	t_{off}	$I_O=3.5A, I_F=5mA$	-	0.1	1	ms

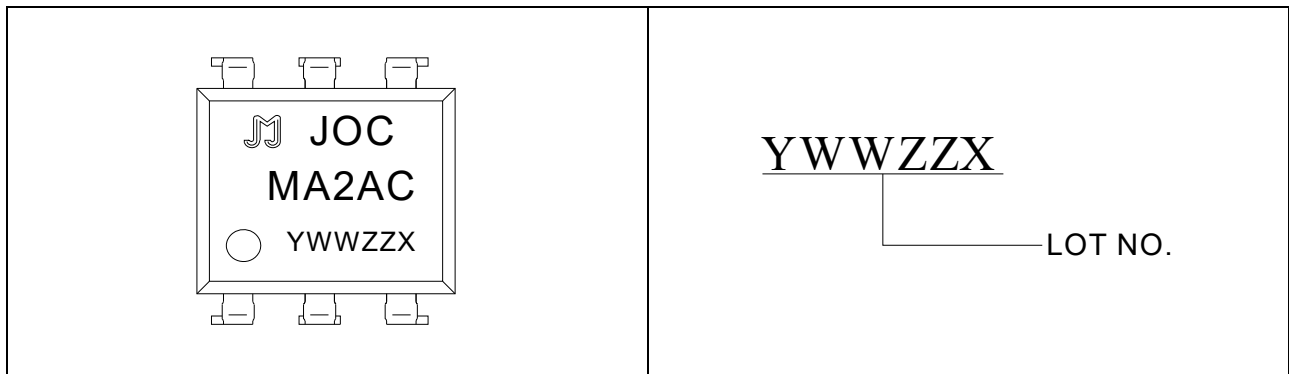
ORDERING INFORMATION



Packing Quantity

Option	Quantity
DIP	60 Units/Tube
SMD	1200 Units/Reel

MARKING



Characteristics Curves

FIG.1: Forward Current vs. Forward Voltage

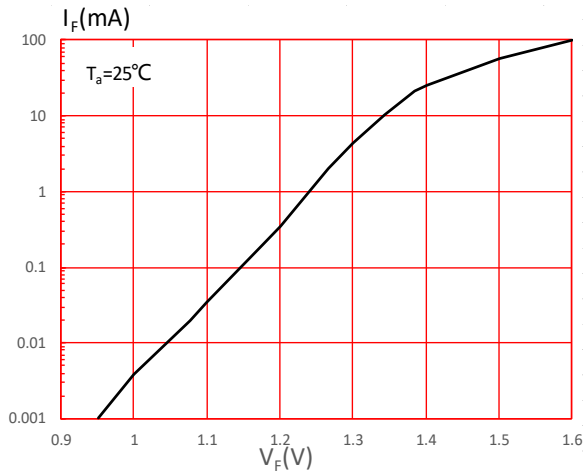


FIG.2: Max. Allowable LED Forward Current vs. Ambient Temperature

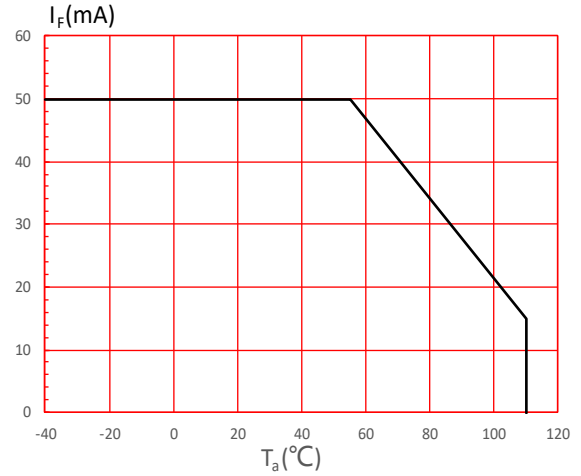


FIG.3: LED Operate Current vs. Ambient Temperature

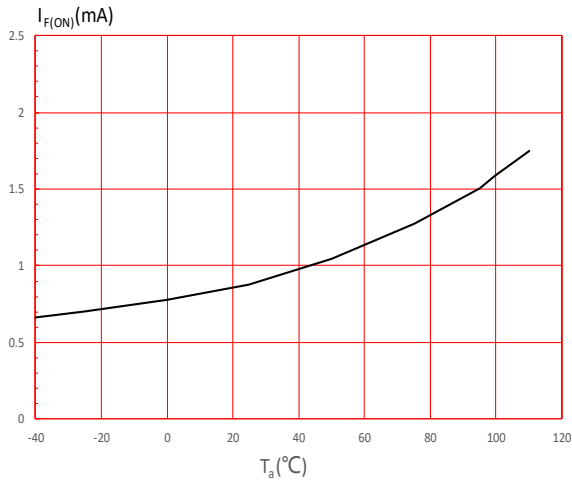


FIG.4: On Resistance vs. Ambient Temperature

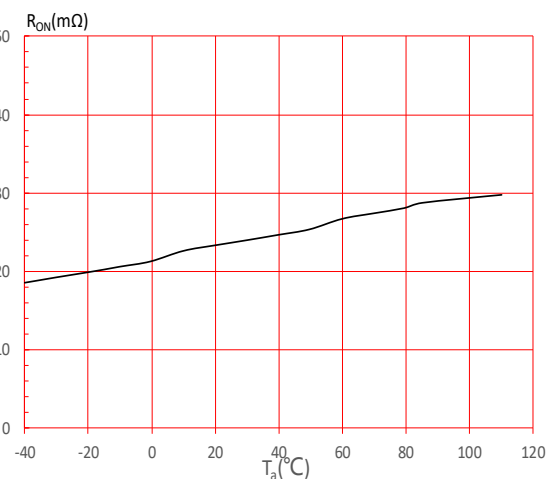


FIG.5: Turn On Time vs. Ambient Temperature

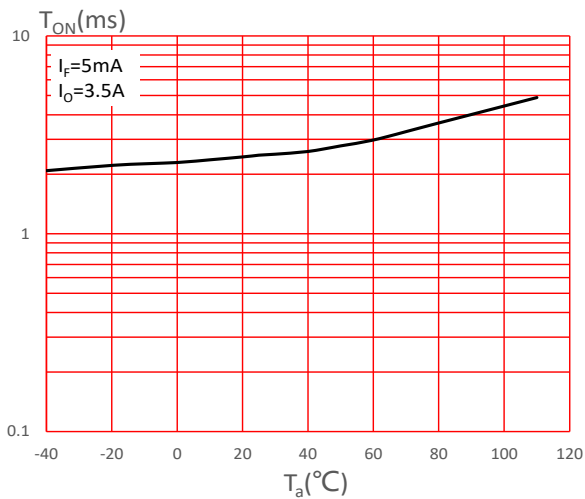


FIG.6: Turn Off Time vs. Ambient Temperature

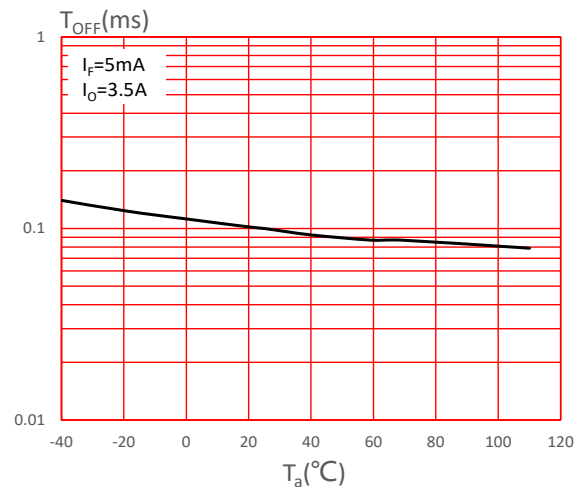


FIG.7: Output Current vs. Output Voltage

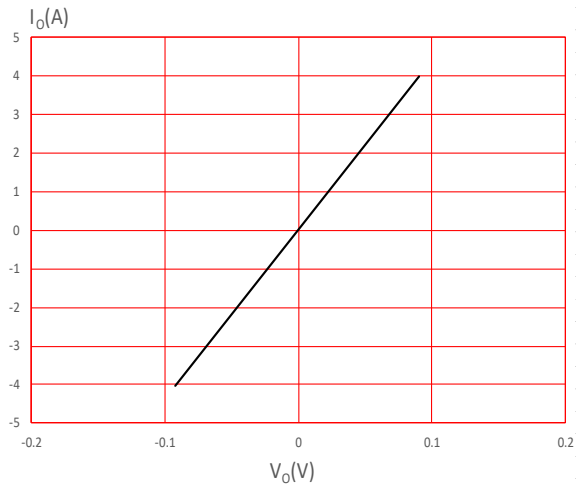
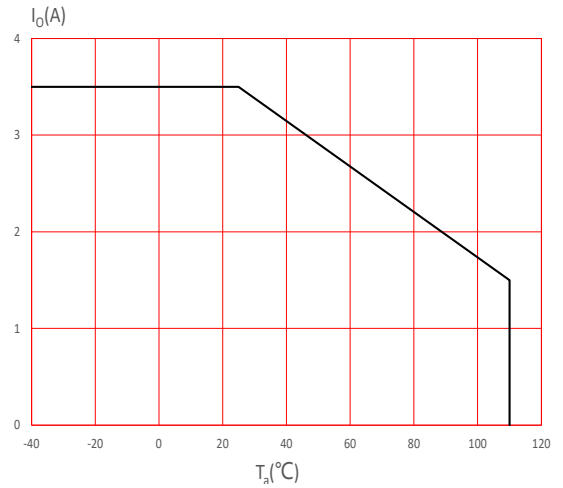


FIG.8: Output Current vs. Ambient Temperature



TEST CIRCUITS

FIG.9: Wiring diagram

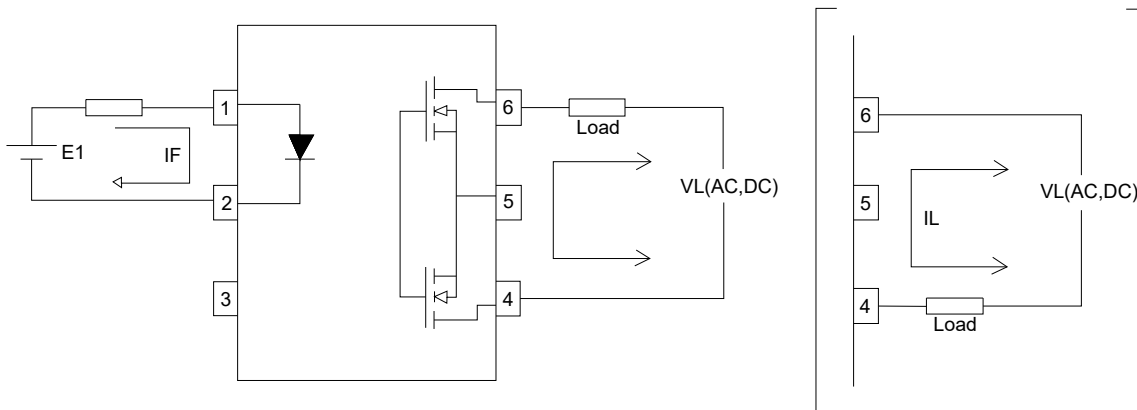
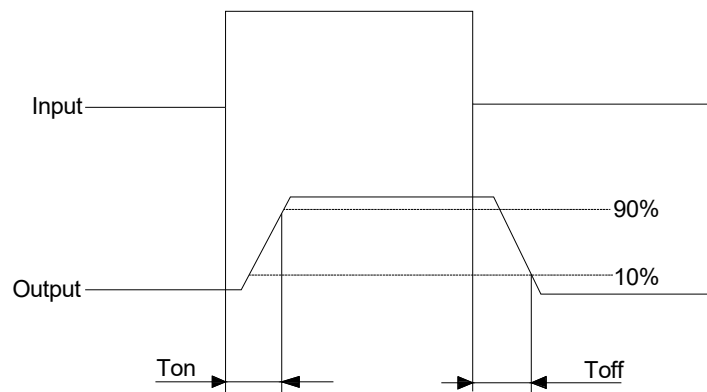
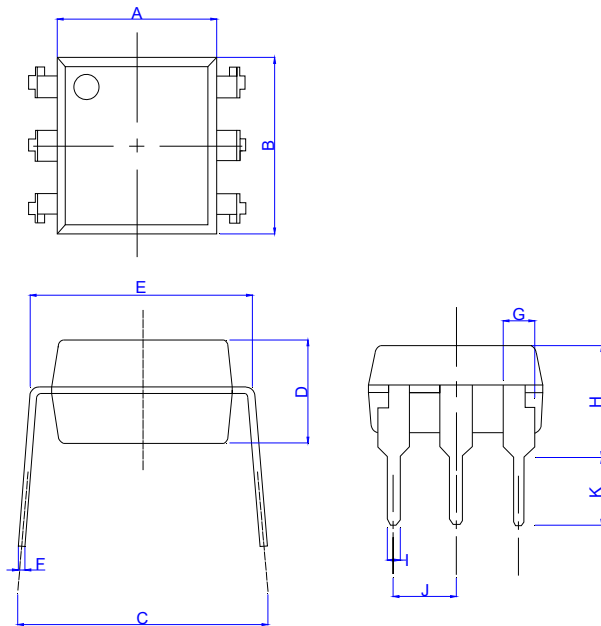


FIG.10: The test method of Ton and Toff



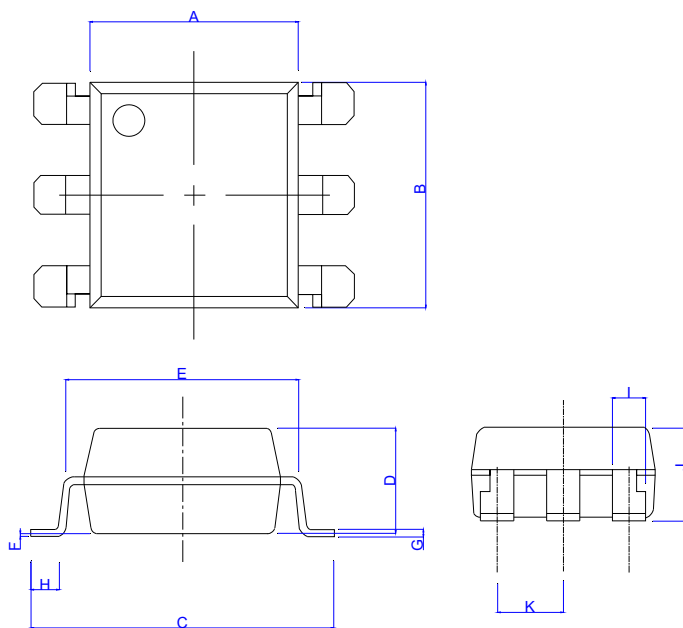
Package Dimension (Unit: mm)

Standard DIP Type:



Ref.	Dimensions					
	Millimeters			Inches		
	Min.	Typ.	Max.	Min.	Typ.	Max.
A	6.20		6.60	0.244		0.260
B	6.92		7.32	0.272		0.288
C	7.15		8.95	0.281		0.352
D	3.20		3.60	0.126		0.142
E	7.32		7.92	0.288		0.312
F	0.15		0.35	0.006		0.014
G	1.15		1.35	0.045		0.053
H	3.90		4.50	0.154		0.177
I	0.40		0.60	0.016		0.024
J	2.29		2.79	0.090		0.110
K	2.24		3.24	0.088		0.128

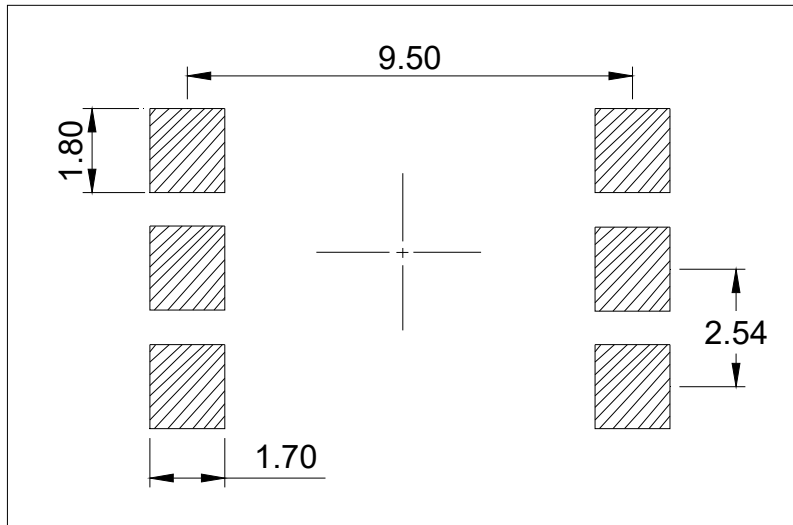
Option SMD Type:



Ref.	Dimensions					
	Millimeters			Inches		
	Min.	Typ.	Max.	Min.	Typ.	Max.
A	6.20		6.60	0.244		0.260
B	6.92		7.32	0.272		0.288
C	9.50		10.50	0.375		0.413
D	3.20		3.60	0.126		0.142
E	7.32		7.92	0.288		0.312
F	0.05		0.35	0.002		0.014
G	0.16		0.36	0.006		0.014
H	0.60		1.40	0.024		0.055
I	0.90		1.50	0.035		0.059
J	3.30		3.90	0.130		0.154
K	2.29		2.79	0.090		0.110

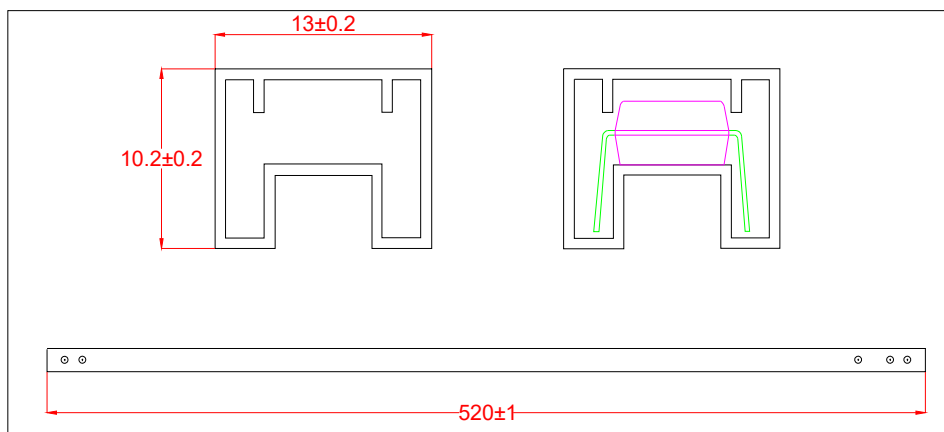
RECOMMENDED SOLDER MASK (Dimensions in mm unless otherwise stated)

Option SMD



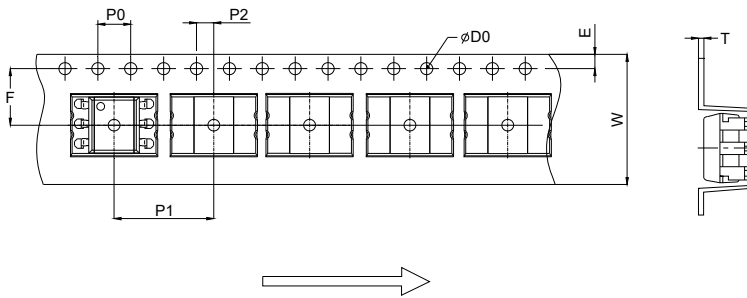
TUBE SPECIFICATIONS (Dimensions in mm unless otherwise stated)

Standard DIP



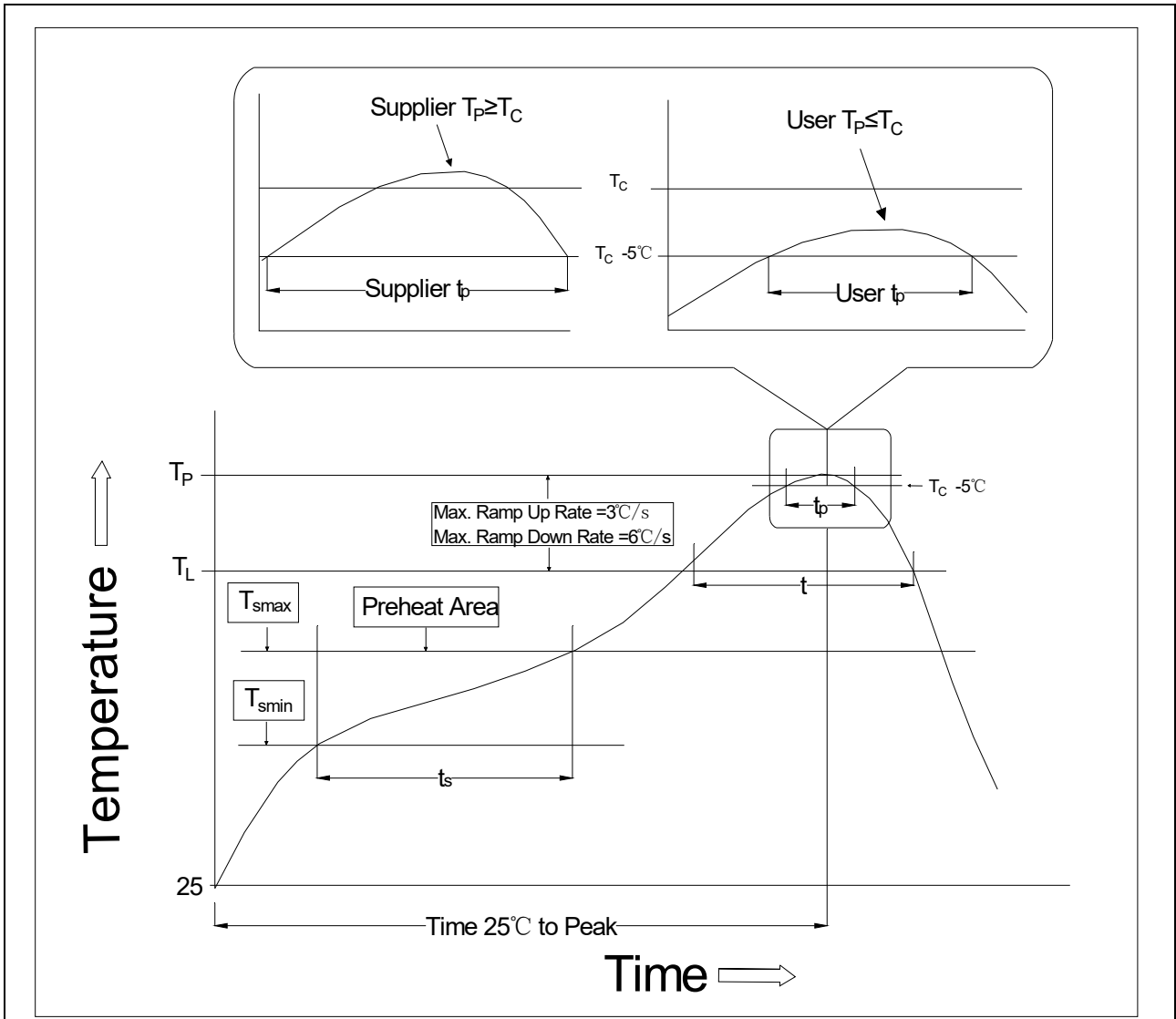
CARRIER TAPE SPECIFICATIONS (Dimensions in mm unless otherwise stated)

Option S/L



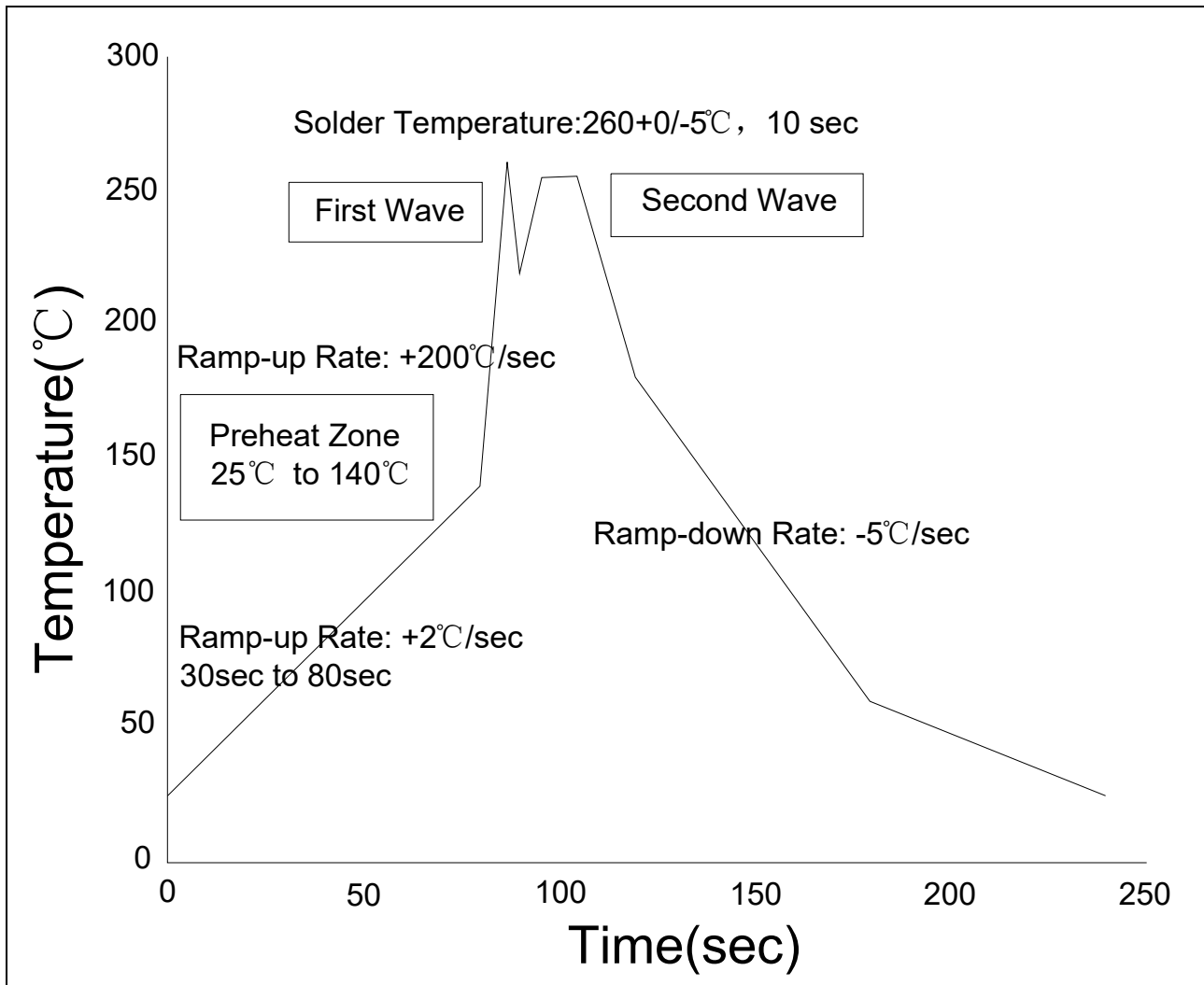
Ref.	Dimensions					
	Millimeters			Inches		
	Min.	Typ.	Max.	Min.	Typ.	Max.
D0		1.50	1.60	0.059	0.063	
P0	3.90	4.00	4.10	0.154	0.157	0.161
P1	11.90	12.00	12.10	0.469	0.472	0.476
P2	1.90	2.00	2.10	0.075	0.079	0.083
E	1.65	1.75	1.85	0.065	0.069	0.073
F	7.40	7.50	7.60	0.291	0.295	0.299
T	0.35	0.40	0.45	0.014	0.016	0.018
W	15.70	16.00	16.30	0.618	0.630	0.642

REFLOW INFORMATION



Temperature Min. (T _{smin})	150 °C
Temperature Max. (T _{smax})	200 °C
Time (t _s) from (T _{smin} to T _{smax})	60-120 seconds
Ramp-up Rate (t _L to t _P)	3°C/second max.
Liquidus Temperature (T _L)	217 °C
Time (t _L) Maintained Above (T _L)	60-120 seconds
Peak Body Package Temperature	260 °C +0 °C / -5 °C
Time (t _P) within 5 °C of 260 °C	10 seconds
Ramp-down Rate (T _P to T _L)	6°C/second max.

WAVE SOLDERING



HAND SOLDERING BY SOLDERING IRON


Soldering Temperature	$360 \pm 5^{\circ}\text{C}$
Soldering Time	3s max.

Note:

1. Reflow soldering is recommended at the temperatures and times shown, no more than three times.
2. Avoid direct contact between the epoxy body and any tools or surfaces exceeding its maximum storage temperature.
3. Application of pressure on the epoxy body is prohibited at elevated temperatures. In specific scenarios, any applied force must not exceed 2.5N.
4. Ensure the component has cooled to ambient temperature before proceeding with any subsequent manufacturing steps.
5. The component has a shelf life of one year when stored under standard conditions.
6. Recommend storage Temp.: 0~40°C;
Recommend storage humidity: <60%;
MSL level: MSL 1

Information furnished in this document is believed to be accurate and reliable. However, Jiangsu JieJie Microelectronics Co., Ltd. assumes no responsibility for the consequences of use without consideration for such information nor use beyond it. Information mentioned in this document is subject to change without notice, apart from that when an agreement is signed, Jiangsu JieJie complies with the agreement.

Products and information provided in this document have no infringement of patents. Jiangsu JieJie assumes no responsibility for any infringement of other rights of third parties which may result from the use of such products and information. This document supersedes and replaces all information previously supplied.

 is a registered trademark of Jiangsu JieJie Microelectronics Co., Ltd.

Copyright © 2026 Jiangsu JieJie Microelectronics Co., Ltd. All rights reserved.